

QUICK OPERATION GUIDE

CONTENTS

BASIC INSTRUCTIONS	3
SAFETY INSTRUCTIONS	4
Caution.....	4
Before Use	5
GENERAL CONTROLS AND PARTS	6
General Controls.....	6
Rear Exterior.....	7
Specific Controls.....	8
PLACING NOTES	11
MAIN ERRORS LIST & MEANING	12
ERROR MESSAGES AND SOLUTION	13
SPECIFICATIONS	15
THE CARTON CONTAINS	15

BASIC INSTRUCTIONS

Thank you for you purchasing this banknote sorter!

We hope users can read this quick operation guide carefully before operate this sorter.

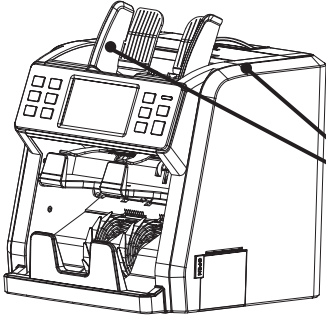
Pls keep this manual properly for in case of any use in the future.

Equipped with full-line sensor, this sorter can accurately analyze the properties of each note to truly minimize the risk of accepting counterfeit banknotes, intended to create a more robust approach while managing the cash.

It has been designed with the maximum flexibility for software, sensor, and interface selection, allowing operators to handle these functions by themselves, without any consuming tasks involvement.

SAFETY INSTRUCTIONS

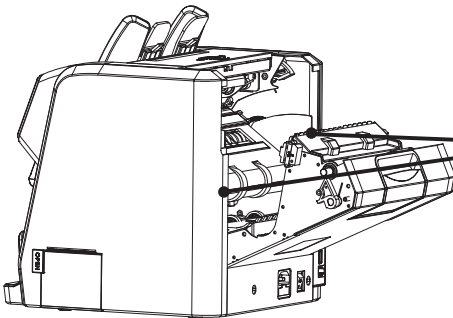
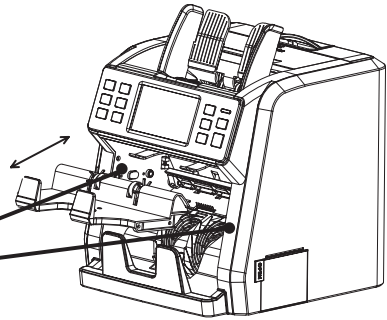
Caution



When opening and closing the top part of machine, be cautions of the fingers nipped



When opening and closing the reject pocket of machine, be cautions of the fingers injured



When opening and closing the rear part of machine, be cautions of the hands injured

Before Use

Installation



This product is designed for indoor use, please do not install outdoors.



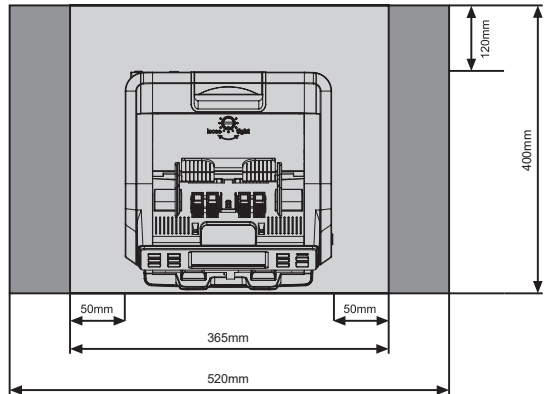
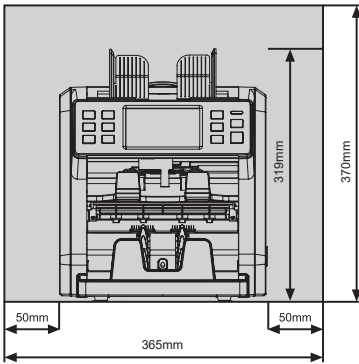
Please do not install the machine where cannot bear the weight of the product.



Do not install the machine in the tilt or uneven places.

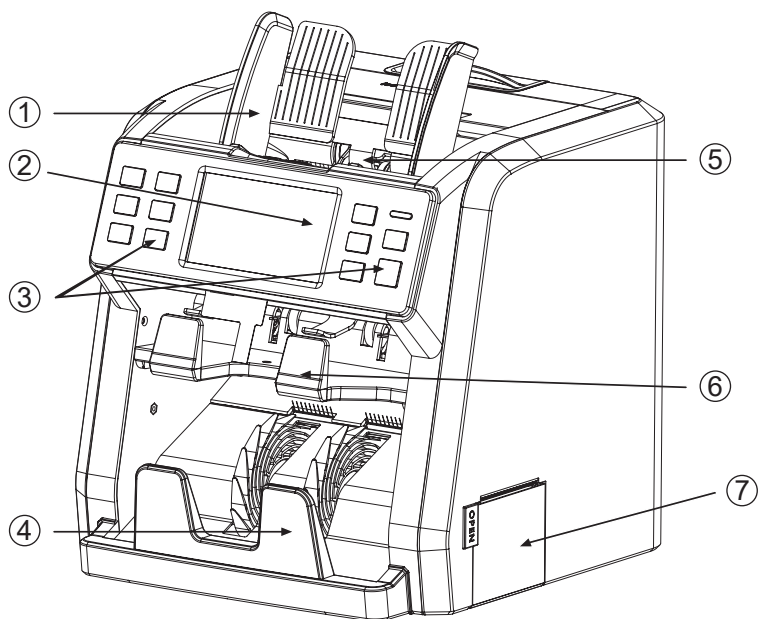


When installing the machine, please leave enough space to make sure that the machine can free open and close for smooth operation.



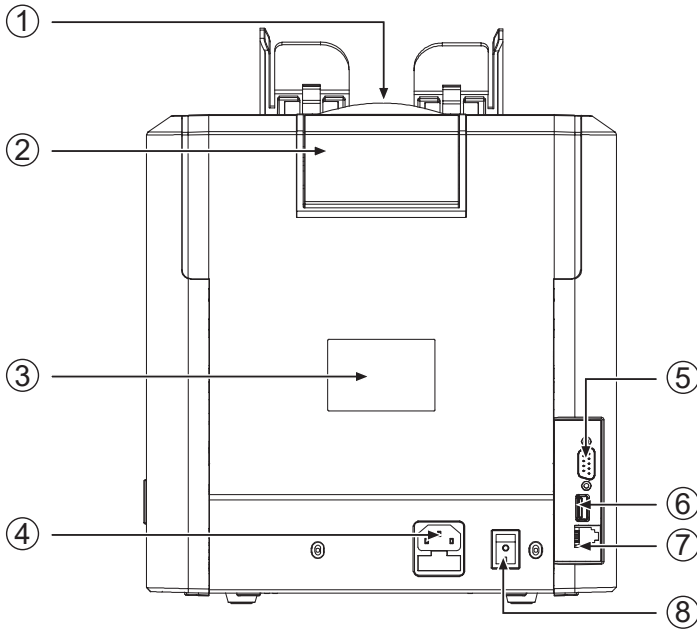
GENERAL CONTROLS AND PARTS

General Controls



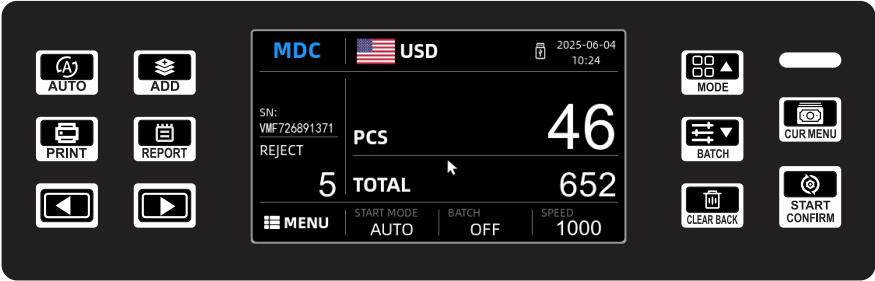
- ① Hopper Guiders: To guide the notes to be feed and counted properly
- ② Main Display : To show the counting results, error messages and list of setting.
- ③ Function Control Panel: Use to operate and make set of the unit.
- ④ Receive Stacker: The notes counted will stacked
- ⑤ Hopper Plate : Place to feed notes
- ⑥ Reject Stacker: To stack the reject notes.
- ⑦ Printer: Press print button

Rear Exterior

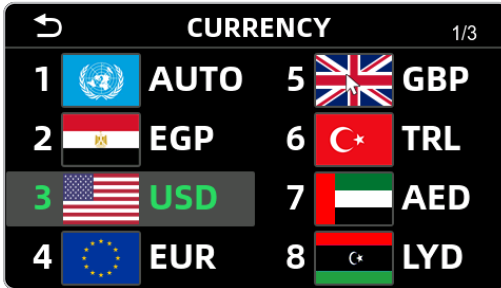


- ① Adjust Screw : It fixed by default to ensure counting smoothly.
- ② Opening Cover: To open the top cover of machine.
- ③ Holder: To remove the real part of machine.
- ④ Power Socket: For plug in the power cord.
- ⑤ External Printer Port: To connect the external printer.
- ⑥ USB Port
- ⑦ RJ11 External Display Port: To connect the external display.
- ⑧ Switch: Turn on and turn off the machine

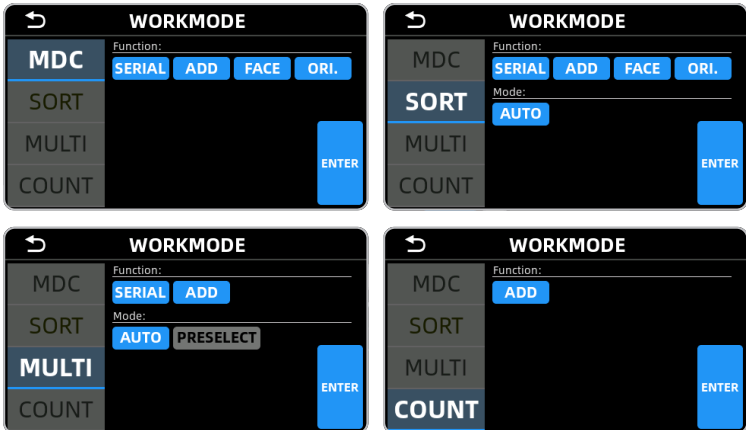
Specific Controls



To select the currency



To select the working mode



MDC mode: different value mix original money and detect counterfeits;
get serial number reading and add counting

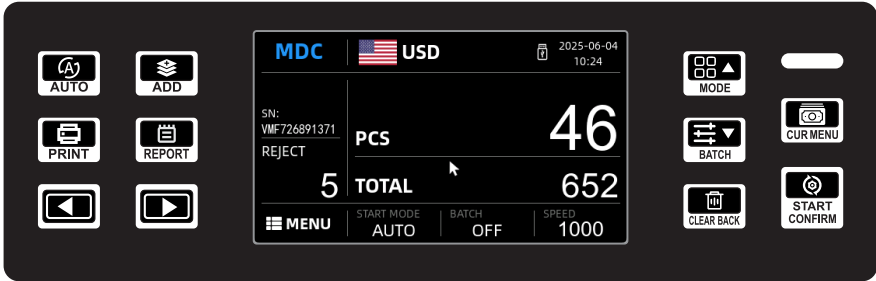
SORT mode: separate different denomination from the same denomination;
separate different denomination by face and orientation

MULTI mode: AUTO value mix original money, detect counterfeits, and accumulate
counting result;

PRESELECT choose the currencies you need for multi counting

COUNT mode: count piece of money, without counterfeit detection;
the highest counting speed is 1500pcs /min

Specific Controls



Short press this button can choose the currency



Short press this button can choose the MDC SORT MULTI COUNT mode



To Clear counting data by pressing the key for 3 seconds.





Short press to start or stop the machine from working



Short press this button, switch on/off ADD function



Short press this button, get serial number reading, press  get serial number printing;

Short press report again, get counting details, short press  get details printing



Short press this button, select auto count/manual count function



Short press this button can preset the piece and amount



Short press this button: printing counting details and serial number



 In reports: short press this button can turn over the pages of reports

PLACING NOTES

Do not count damp or severely damaged notes.

Do not count broken, deformation notes which may cause jammed.



Folded



Curled



Torn



Adhesive

Check whether on a bill or mixed with a paper clips, stitching needle, rubber bands etc. to avoid the counting error or notes jammed.



Clip



Needle

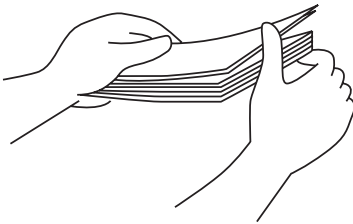


Rubber

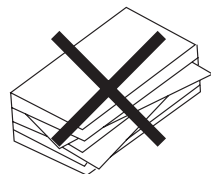
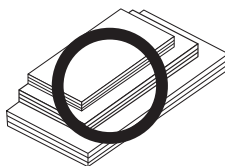
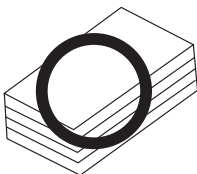


Coins

After fully expanded notes alignment, put notes on the hopper in orderly.



Place the notes orderly in the correct way shows below



MAIN ERRORS LIST & MEANING

Error Code	Meaning
FORCE	Money's image may be delayed to scan, this money may be a counterfeit
IR	Infrared feature is abnormal, this money may be a counterfeit
MT	Magnetic feature(Middle area) is abnormal, this money may be a counterfeit
UV	Ultraviolet feature is abnormal, this money may be a counterfeit
UNKNOW	Money's image couldn't be recognized, this money may be a counterfeit
SIZE	The size of image is not correct, this money may be a counterfeit
FULL	Stacker may be full of money
TYPE	Different denomination is detected
LONG	Chain note may be detected
ANGLE	Money may be skewed
DB	Double note may be detected
HOPPER	Hopper may be blocked by something

ERROR MESSAGES AND SOLUTION

ERROR

Pallet not intalled
Please check pallet:

Error code: FF000

OK

ERROR

Sensor error
Please check:
ShuntBoard
Channle Encode
Entry Encode
ImageBoard

Error code: 1E000

OK

MDC | AUTO | 2025-06-09 16:16

ERROR

Slot not cleared

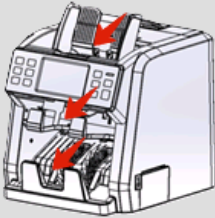
Please clear:
Feed Slot
Reject Slot
Receiving Slot

Error code: F00

OK

MENU | AUTO | OFF | 1000

SN: REJECT 00



MDC | AUTO | 2025-06-09 17:17

ERROR

Channel congestion

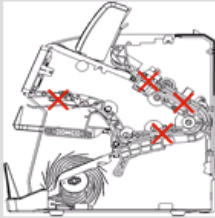
Please clear channel:
CIS
IR1
IR2
IR3
...

Error code: FF

OK

MENU | AUTO | OFF | 1000

SN: REJECT 00



SPECIFICATIONS

Feed System:	Roller friction system
Counterfeit Detection	UV, MG, IR, DUAL CIS
Hopper Capacity	Max. 500 notes
Stacker Capacity	Max. 200 notes
Reject Capacity	Max. 100 notes
Available Currencies	USD, EUR, GBP, LOCAL (OPTION)
Countable Note Size	60 X 85 X 0.08mm ~ 100 X 190 X 0.12mm
Display	4.3 Inch TFT
Power supply	AC100 ~ 240V, 50/60Hz
Power consumption	Max. 50W
Dimensions(mm)	265(W) X 280(D) X 319 (H)
N.W.	8.35 Kg
G.W.	12.0 Kg
Interface	USB
	LAN
	RJ11
Options	Remote Display
	Thermal Printer

THE CARTON CONTAINS

1. Banknote Sorter
2. External Display
3. Power Cord
4. User's Manual
5. Microfiber Towel
6. CIS Adjust Paper

