

QUICK OPERATION GUIDE

CONTENTS

BASIC INSTRUCTIONS	2
SAFETY INSTRUCTIONS	3
Caution	3
Before Use	4
GENERAL CONTROLS AND PARTS	5
General Controls	5
Rear Exterior.....	6
Specific Controls	7-8
Indicators Illustrate	9
PLACING NOTES	10
MAIN ERRORS LIST & MEANING.....	11-12
SPECIFICATIONS.....	13
THE CARTON CONTAINS	13

BASIC INSTRUCTIONS

Thank you for you purchasing this banknote sorter!

We hope users can read this quick operation guide carefully before operate this sorter.

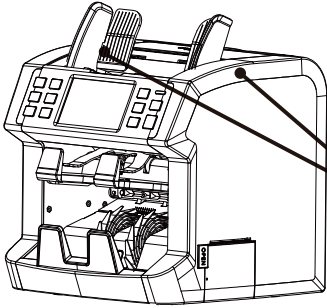
Pls keep this manual properly for in case of any use in the future.

Equipped with full-line sensor, this sorter can accurately analyze the properties of each note to truly minimize the risk of accepting counterfeit banknotes, intended to create a more robust approach while managing the cash.

It has been designed with the maximum flexibility for software, sensor, and interface selection, allowing operators to handle these functions by themselves, without any consuming tasks involvement.

SAFETY INSTRUCTIONS

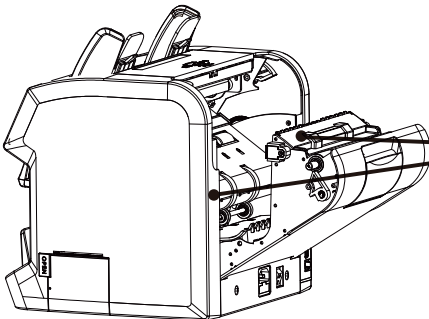
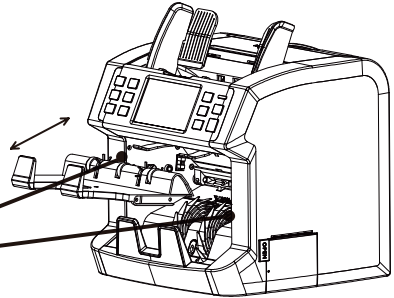
Caution



When opening and closing the top part of machine, be cautions of the fingers nipped



When opening and closing the reject pocket of machine, be cautions of the fingers injured



When opening and closing the rear part of machine, be cautions of the hands injured

Before Use

Installation



This product is designed for indoor use, please do not install outdoors.



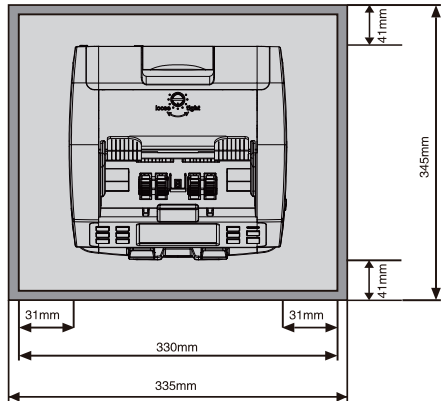
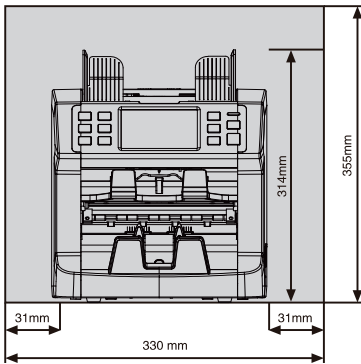
Please do not install the machine where cannot bear the weight of the product.



Do not install the machine in the tilt or uneven places.

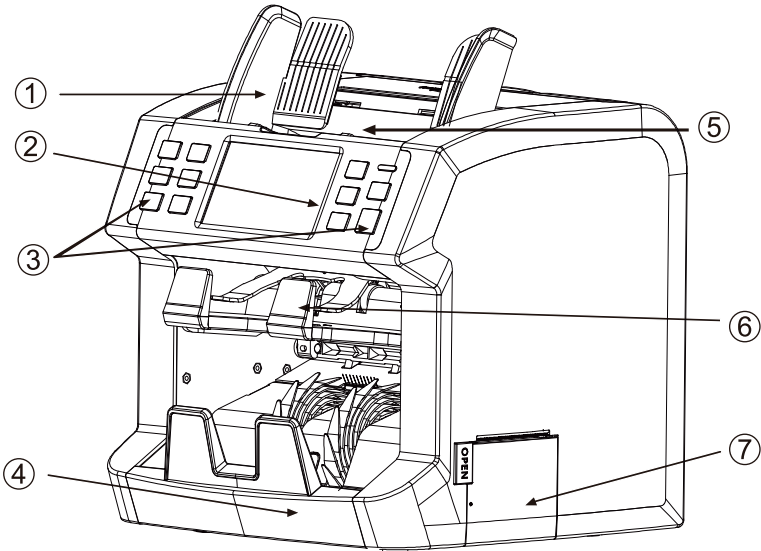


When installing the machine, please leave enough space to make sure that the machine can free open and close for smooth operation.



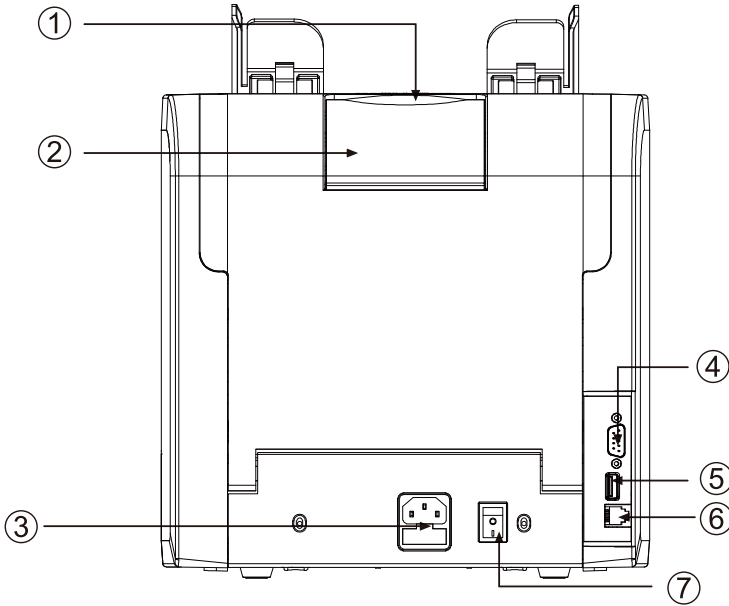
GENERAL CONTROLS AND PARTS

General Controls



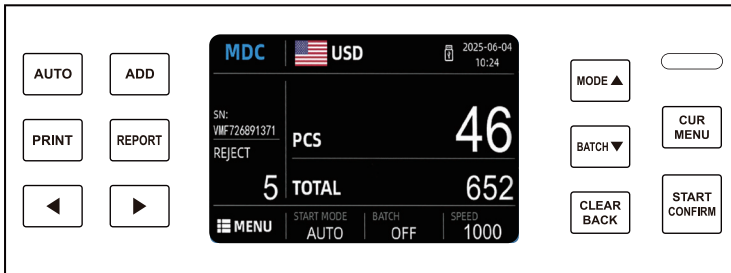
- ① Hopper Guides: To guide the notes to be feed and counted properly
- ② Main Display : To show the counting results, error messages and list of setting.
- ③ Function Control Panel: Use to operate and make set of the unit.
- ④ Receive Stacker: The notes counted will stacked
- ⑤ Hopper Plate : Place to feed notes
- ⑥ Reject Stacker: To stack the reject notes.
- ⑦ Printer: Press print button

Rear Exterior



- ① Adjust Screw : It fixed by default to ensure counting smoothly.
- ② Opening Cover: To open the top cover of machine.
- ③ Power Socket: For plug in the power cord.
- ④ External Printer Port: To connect the external printer.
- ⑤ USB Port
- ⑥ RJ11 External Display Port: To connect the external display.
- ⑦ Switch: Turn on and turn off the machine

Specific Controls



CUR MENU To select the currency

MODE ▲ To select the working mode

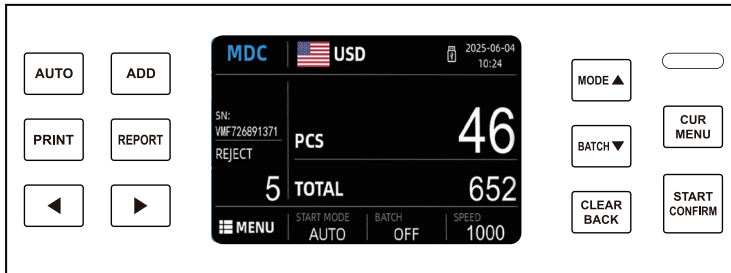
MDC : value mix counting of different denominations















SORT: sort each denomination

MULTI: counting with different currencies

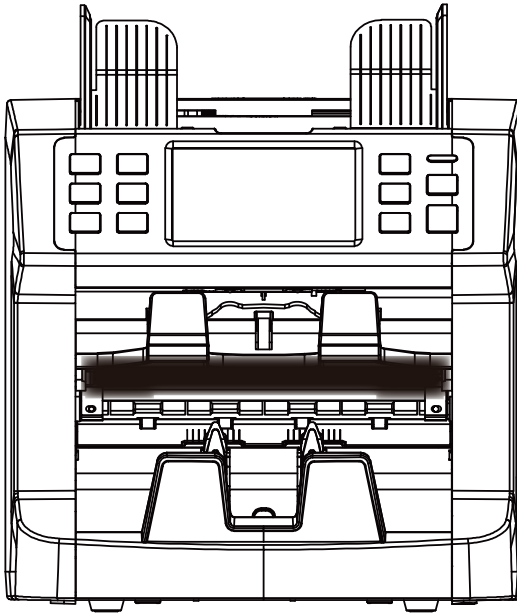
COUNT: count the quantity of banknotes

Specific Controls



-  To clear the counting data; go back to the last interface
-  Short press to start or stop the machine from working
-  Short press this button, switch on/off ADD function
-  Short press this button, then touch screen More details, get serial number function
Short press  : printing serial numbers
-  Short press this button, select auto count/manual count function
-  Short press this button, check reject note report
-  Short press this button, check original note report
-  Short press this button: switch on batch function,
short press  to confirm batch setting.
-  In reports: short press this button can turn over the pages of reports
-  Short press this button: printing counting result
-   In reports: short press this button can turn over the pages of reports

Indicators Illustrate



Power Indicator: The light is red when machine is power on and it will turning to blue after the system is going stand by.

Counterfeit Money Indicator: The light will ture to red when it counts the counterfeit money.

PLACING NOTES

Do not count damp or severely damaged notes.

Do not count broken, deformation notes which may cause jammed.



Folded



Curled



Torn



Adhesive

Check whether on a bill or mixed with a paper clips, stitching needle, rubber bands etc. to avoid the counting error or notes jammed.



Clip



Needle

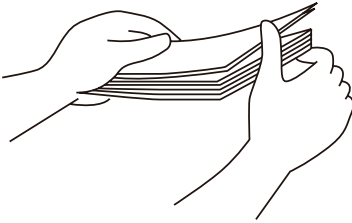


Rubber

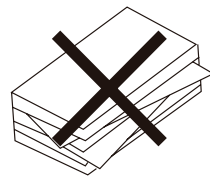
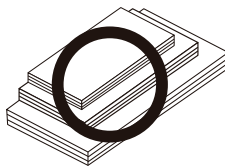
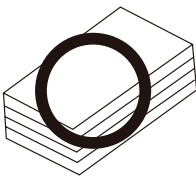


Coins

After fully expanded notes alignment, put notes on the hopper in orderly.



Place the notes orderly in the correct way shows below



MAIN ERRORS LIST & MEANING

Error message appears during the working			
Error	Meaning	Error Code	Error cause
E1	UV ERROR	121	Suspicious non-fluorescence note is detected
		122	Suspicious washed note is detected
E2	DOUBLE ERROR	155	Suspicious double note is detected
		187	Cash blockage
E3	CHAIN ERROR	156	Suspicious chain note is detected(Width)
E4	HALF ERROR	53	Suspicious incomplete note is detected(Large area)
E10	IMGAE ERROR	51	Suspicious tilt note is detected
		52	Suspicious damaged note is detected(Small area)
		54	Different denomination is detected
		55	Image color deviation is detected
		60-89	Suspicious image is detected
		141	Suspicious image tilt
		152	The signal of hiding or distributing note is wrong(Part)
		154	The signal of hiding or distributing note is wrong(Whole)
		162	Different version is detected
		163	Different currency is detected
		166	Loss of denomination is detected
E11	WIDTH ERROR	167	The different banknote version is detected
		11	Suspicious bill is detected as abnormal width
		12	Suspicious bill is detected as abnormal height
E14	DENOMINATION ERROR	161	Different denomination is detected
E15	IMAGE SIGNAL ERROR	182	The splitter signal is generated by software
		183	Result timeout is detected
E16	FACE ERROR	164	Different face is detected
E17	ORIENT ERROR	165	Different direction is detected
E20	MT ERROR	92	Medium magnetic mismatch is detected
		101	Safety line magnetic code does not match
		102	No safety line magnetism

E21	MG ERROR	91	Edge magnetic mismatch
		93	The magnetic distribution in the center is inconsistent
		103	The safety line does not match the denomination of the figure
		185	Failed to obtain the edge magnetic ID
E30	IR ERROR	110	Matte turn to printing ink
		111	Infrared banknotes but no images, detect pure black banknotes
		153	The signal of hiding or distributing banknotes is wrong
		157	Flip board control failure (channel problem)
		158	Too small a gap to kick money
		167	Too small a gap to kick money(Banknote version)
		168	Total amount discrepancy (preset value)
		169	Reject note test
		181	Error of arbitration process
		184	Failed to obtain sample data
		186	The back cover is open
		188	Banknote is blocked in the 1st channel test point
		189	Banknote is blocked in the 2st channel test point
		190	The abnormal sensor signal is detected
191	Motor startup is fail		
202	Denomination recognition timeout, the note is kicked		
E31	SV ERROR	203	Denomination recognition is fail
E32	IMG_SYSTEM-ERROR	192	The image board is not responding

SPECIFICATIONS

Feed System:	Roller friction system
Counterfeit Detection	UV, MG, IR, DUAL CIS
Hopper Capacity	Max. 500 notes
Stacker Capacity	Max. 200 notes
Reject Capacity	Max. 100 notes
Available Currencies	USD, EUR, GBP, LOCAL (OPTION)
Countable Note Size	60 X 85 X 0.08mm ~ 100 X 190 X 0.12mm
Display	4.3 Inch TFT
Power supply	AC100 ~ 240V, 50/60Hz
Power consumption	Max. 50W
Dimensions(mm)	283(W) X 268(D) X 264 (H)
N.W.	7.9 Kg
G.W.	9.9 Kg
Interface	USB
	LAN
	RJ11
Options	Remote Display
	Thermal Printer

THE CARTON CONTAINS

1. Banknote Sorter
2. External Display
3. Power Cord
4. User's Manual
5. Microfiber Towel
6. CIS Adjust Paper

